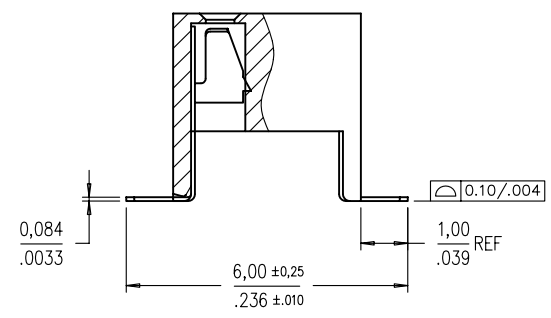
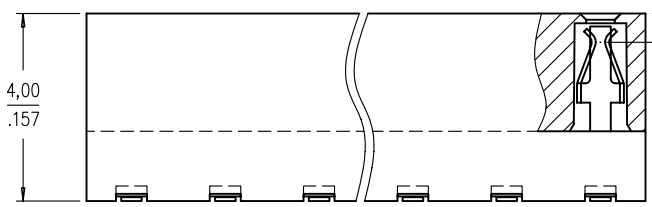
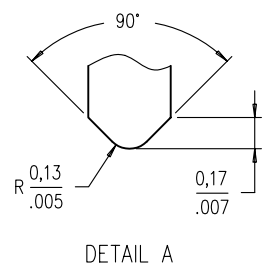
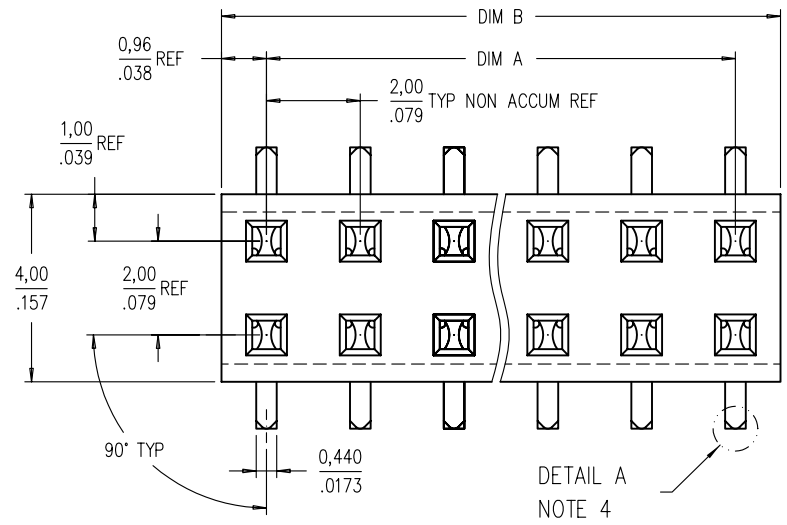


Tous droits strictement reserves. Reproduction ou communication a des tiers interdite sous quelque forme que ce soit sans autorisation ecrite du proprietaire. Propriete de c FCI. Droits de reproduction FCI.



All rights strictly reserved. Reproduction or issue to third parties in any form whatever is not permitted without written authority from the proprietor. Property of FCI. Copyright FCI.



CONFIDENTIAL

mat'l. code				tolerances unless otherwise specified		CUSTOMER COPY	FCI www.fciconnect.com	
ltr	ecn no	dr	date	linear	X.X±0.3/.XX±.01		projection	title
K	S40318	BSL	12/20/94		X.XX±0.13/.XXX±.005	MM/INCH		LOW PROFILE VCC TOP ENTRY SMT 4.00 ASSY
L	S80115	BSL	5/14/98		X.XXX±0.051/.XXX±.0020		scale	product family
M	V94400	BSL	12/1/99	angles	ANGLES ±2°	10:1		LPVCC
N	S05-0064	KBM	3/1/05	dr	BS LOW 1/6/00			size
				engr	BS LOW 1/6/00		A	91812
				chr	KB MAH 3/1/05			
				appd	JOEY NG 3/1/05			
sheet index	revision sheet	N	N					
		1	2					

cage code 22526  
STATUS: Released

ACAD

PDM: Rev:N

Printed: Feb 01, 2007

Tous droits strictement reserves. Reproduction ou communication a des tiers interdite sous quelque forme que ce soit sans autorisation ecrite du propriétaire. Propriete de c FCI. Droits de reproduction FCI.

All rights strictly reserved. Reproduction or issue to third parties in any form whatever is not permitted without written authority from the proprietor. Property of FCI. Copyright FCI.



PRODUCT NO	POSITIONS	DIM. A	DIM. B	PLATING OPTIONS OVER CONTACT AREA
91812-X04	2 X 2	2,00/,079	3,92/,154	0 = 0,2u/8u" Au
-X06	2 X 3	4,00/,158	5,92/,233	1 = 0,76u/30u" Au
-X08	2 X 4	6,00/,236	7,92/,312	3 = 0,38u/15u" Au
-X10	2 X 5	8,00/,315	9,92/,391	
-X12	2 X 6	10,00/,394	11,92/,469	
-X14	2 X 7	12,00/,472	13,92/,548	
-X16	2 X 8	14,00/,551	15,92/,627	
-X18	2 X 9	16,00/,630	17,92/,706	
-X20	2 X 10	18,00/,709	19,92/,784	
-X22	2 X 11	20,00/,787	21,92/,863	
-X24	2 X 12	22,00/,866	23,92/,942	
-X26	2 X 13	24,00/,945	25,92/,1,020	
-X28	2 X 14	26,00/,1,024	27,92/,1,099	
-X30	2 X 15	28,00/,1,102	29,92/,1,178	

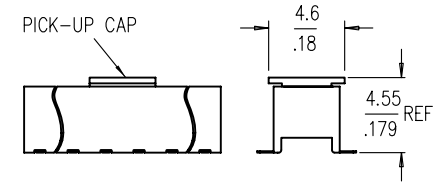
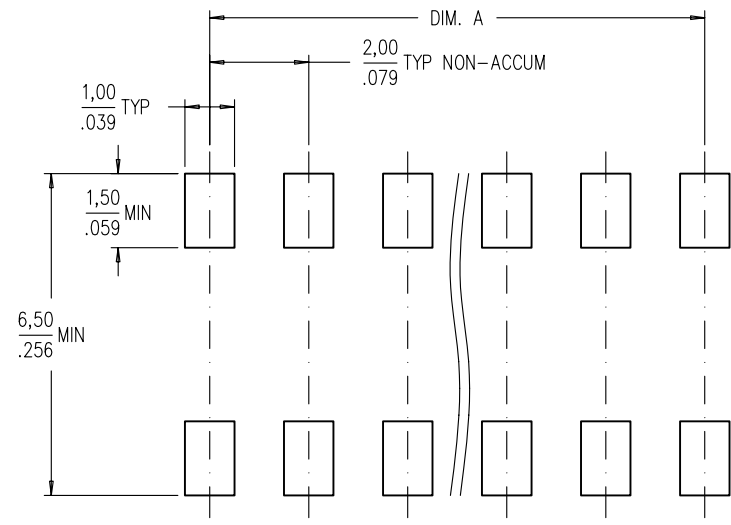


FIG. 1  
NOTE 7 (b) & (d)

NOTES :

- HOUSING MAT'L : HIGH TEMP PLASTIC.
- TERMINAL MAT'L : BeCu.
- TERMINAL RETENTION 0,5 Kg/1,1 Lbs.
- 'V' CUT OPTIONAL - MANUFACTURING PROCESS OPTION.
- SOLDER TAILS PLATING:
  - SOLDERTAIL OF P/N:91812-XXX IS TIN/LEAD PLATED.
  - SOLDERTAIL OF P/N:91812-XXXLF IS 100% MATTE TIN PLATED.
- PRODUCT DESCRIPTION CODE :  
 XXXXX-X XXLF  
 LEAD FREE (5b)(9)  
 TOTAL POSITIONS  
 CONTACT AREA PLATING  
 BASE NUMBER
- PACKAGING :
  - XXXXX-XXX --- STD PACKAGING IN TUBE.
  - XXXXX-XXXTR --- TAPE AND REEL (CONDUCTIVE) PACKAGING WITH PICK-UP CAP (SEE FIG 1).
  - XXXXX-XXXTRN --- TAPE AND REEL (CONDUCTIVE) PACKAGING WITHOUT PICK-UP CAP.
  - XXXXX-XXXCR --- TAPE AND REEL (NON-CONDUCTIVE) PACKAGING WITH PICK-UP CAP (SEE FIG 1).
  - XXXXX-XXXCRN --- TAPE AND REEL (NON-CONDUCTIVE) PACKAGING WITHOUT PICK-UP CAP.
- THE HOUSING WILL WITHSTAND EXPOSURE TO 255° C PEAK TEMPERATURE FOR 10 SECONDS IN A CONVECTION, INFRA-RED OR VAPOR PHASE REFLOW OVEN.
- THIS PRODUCT MEETS EUROPEAN UNION DIRECTIVES AND OTHER COUNTRY REGULATIONS AS DESCRIBED IN GS-22-008.



RECOMMENDED PAD LAYOUT

CONFIDENTIAL

mat'l. code				tolerances unless otherwise specified		CUSTOMER COPY		FCI www.fciconnect.com	
ltr	ecn no	dr	date	linear	X.X±0.3/.XX±.01	projection	title		
N					X.XX±0.13/.XXX±.005	MM/INCH	LOW PROFILE VCC TOP ENTRY SMT 4.00 ASSY		
				angles	X.XXX±0.051/.XXX±.0020	scale	product family	LPVCC	code
				dr	ANGLES ±2°	2:1	size	dwg no	-
				engr	BS LOW 1/6/00		91812		sheet
				chr	BS LOW 1/6/00				2 of 2
				appd	chr KB MAH 3/1/05				
					appd JOEY NG 3/1/05				
sheet index	revision sheet						cage code	22526	